

- 316L# stainless steel housing
- 316# stainless steel screws/ Integral gear
- Fire resistant silicone seal waterproof gasket
- 8mm thick toughened FLUSH glass with trim
- CE/ SAA/ IP65/ Class 1
- Lamp: CREE COB
- CCT: 3000K/4000K/5000K/CRI \geq 80 (Optional: CRI 95)
- Beam Angle: 12° / 24° / 36° / 60°
- Philips Driver; 220-240Vac/ Constant current/ WT:-20~+50° C
- Warranty: 3 years (Optional: 5 years)

- **CODE** **COLOR**
UDSSSM15152 MIRRORRED
UDSSSB15152 BRUSHED
- POWER:** 2x15/20W

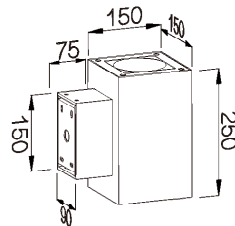
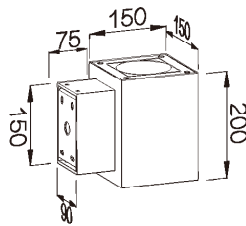
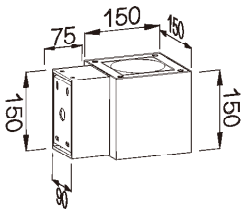
- **CODE** **COLOR**
UDSSSM15202 MIRRORRED
UDSSSB15202 BRUSHED
- POWER:** 2x15/20/30W

- **CODE** **COLOR**
UDSSSM15252 MIRRORRED
UDSSSB15252 BRUSHED
- POWER:** 2x15/20/30W

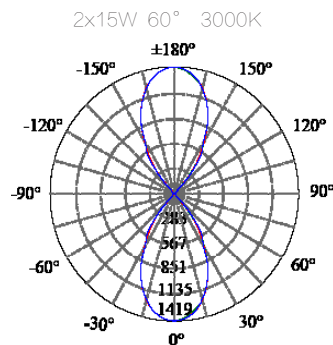
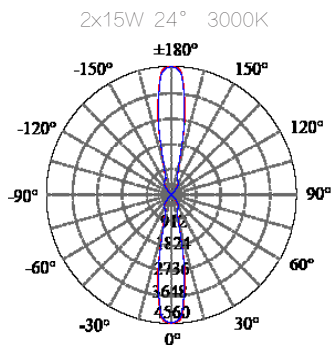
- **CODE** **COLOR**
UDSSSM15151 MIRRORRED
UDSSSB15151 BRUSHED
- POWER:** 1x15/20W

- **CODE** **COLOR**
UDSSSM15201 MIRRORRED
UDSSSB15201 BRUSHED
- POWER:** 1x15/20/30W

- **CODE** **COLOR**
UDSSSM15251 MIRRORRED
UDSSSB15251 BRUSHED
- POWER:** 1x15/20/30W



• **PHOTOMETRIC [Unit:: cd]**



• **POWER DETAILS (DOWNLOAD IES FILES ON ; WWW.MCTYLIGHTING.COM)**

2x15W	CREE CXA1512	12°	2835lm	/24°	2632lm	/36°	2592lm	/60°	2552lm
2x20W	CREE CXA2520	12°	3780lm	/24°	3509lm	/36°	3456lm	/60°	3402lm
2x30W	CREE CXA2520	12°	5670lm	/24°	5264lm	/36°	5184lm	/60°	5104lm
1x15W	CREE CXA1512	12°	1415lm	/24°	1320lm	/36°	1299lm	/60°	1279lm
1x20W	CREE CXA2520	12°	1890lm	/24°	1758lm	/36°	1732lm	/60°	1705lm
1x30W	CREE CXA2520	12°	2854lm	/24°	2638lm	/36°	2598lm	/60°	2558lm